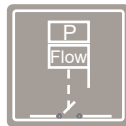


Optimatic & Optimatic 22

Automatic Device for electric pump integral control.

Optimatic is a compact device for the automatic control and protection of electric pumps, its patented system includes special electronic sensor of flow and pressure, integrated in electronic circuit that guides the electric pump operation and keeps pressure and flow accordingly. Moreover, it has a safety system to avoid the dry-running operation.

Optimatic replaces traditional systems of hydrosphere, pressure-switch, check-valve and level switches, with the advantage of smaller dimensions and avoiding periodic maintenance. The unit automatically starts the electric pump when any point of use is open and stop it –after a 10 seconds programmed time– when closing the consumption point.



Optimatic

Optimatic ART

Optimatic 22

Optimatic DC NAUTICAL

OPERATING CHARACTERISTICS

- No maintenance.
- Installation time saving.
- Protection against water hammer effect.
- Compact and reduced dimensions.
- Removal of protecting devices (level switches).
- Avoids the pump oversizing using integrately their flowpressure curve.
- Integrated protection system which stops the pump in case of dry-running operation.
- **ART function** (Automatic Reset Test). If the device has been stopped due to the action of the safety system against dry operation, the ART tries to connect the pump, with a programmed periodicity because the water supply could have been restored (only Optimatic ART, Optimatic 22 and Optimatic DC NAUTICAL).
- Control panel:
 - POWER: yellow LED light.
 - PUMP ON: green LED light.
 - FAILURE: red led light.
 - Tactile push button for manual start.
- Electronic circuit set with protection cover easily replaceable.
- Resin-coated electronic circuit (optional).
- Integrated accumulation system, spring-membrane set, preventing pump's cycling as a result of dripping taps or small losses in the hydraulic installation.
- Other options like pressure gauge, connecting cables, adjustable starting pressure.
- Modello alimentato a corrente continua (24 V DC) - Optimatic DC NAUTICAL.

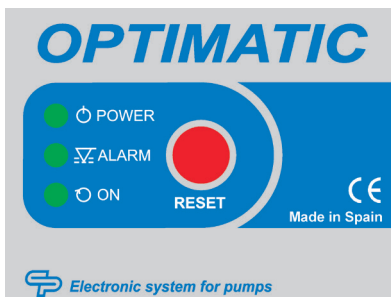


Low Voltage Directive 2014/35/EC
Electromagnetic Compatibility 2014/30/EC
RoHS 2011/65/EC + 2015/863/EC

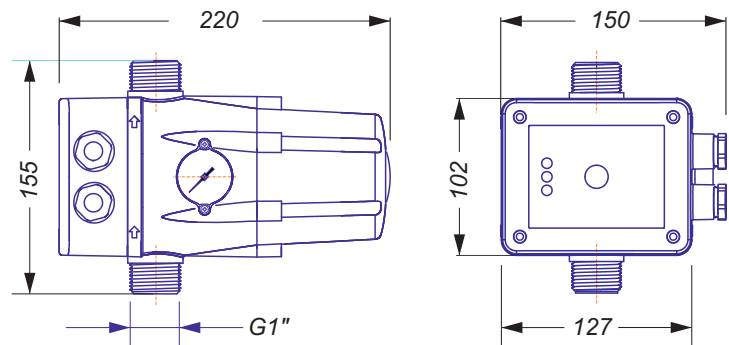
TECHNICAL CHARACTERISTICS

	OPTIMATIC F15 OPTIMATIC ART F15	OPTIMATIC F22 OPTIMATIC ART F22	OPTIMATIC R OPTIMATIC ART R	OPTIMATIC 22	OPTIMATIC DC NAUTICAL
Start pressure	1,5 bar	2,2 bar	1,5-3 bar	1,5-3 bar	1,5 bar
Power	1,5 kW	1,5 kW	1,5 kW	2,2 kW	0,38 kW
Voltage	1~230 V/1~120 V	1~230 V/1~120 V	1~230 V/1~120 V	~1 x 110÷230 Vac	24 V DC
Frequency	50/60 Hz	50/60 Hz	50/60 Hz	50/60 Hz	-
Max peak of current	10 A; cos fi ≥0.6	10 A; cos fi ≥0.6	10 A; cos fi ≥0.6	16 A; cos fi ≥0.6	16 A
Protection degree	IP65	IP65	IP65	IP65	IP65
Maximum temperature	50 °C	50 °C	50 °C	50 °C	50 °C
Maximum pressure	10 bar	10 bar	10 bar	10 bar	10 bar
Maximum flow	8.000 l/h	8.000 l/h	8.000 l/h	8.000 l/h	8.000 l/h
Net weight (without cables)	1,3 Kg	1,3 Kg	1,3 Kg	1,35 Kg	1,3 Kg

CONTROL PANEL



DIMENSIONS



INSTALLATION

